



ALPHA 400/630 DIN, монтажный комплект для фальшпанелей с опорами, В = 300 Ш = 250


версия	
торговая марка изделия	ALPHA
наименование изделия	Крышки секций
Механическая конструкция	
высота	300 mm
ширина	250 mm
масса нетто	0,39 kg
материал	пластмасса
General Product Approval	
Declaration of Conformity	

[Confirmation](#)



[Miscellaneous](#)



Declaration of Conformity	Test Certificates	other	Environment
 EG-Konf.	<a href="#">Type Test Certificates/Test Report</a>	<a href="#">Special Test Certificate</a>	<a href="#">Confirmation</a>
		<a href="#">Confirmation</a>	<a href="#">Miscellaneous</a>
			<a href="#">Environmental Confirmations</a>

### Дополнительная информация

Siemens has decided to exit the Russian market (see here).

<https://press.siemens.com/global/en/pressrelease/siemens-wind-down-russian-business>

Siemens is working on the renewal of the current EAC certificates.

Please contact your local Siemens office on the status of validity of the EAC certification if you intend to import or offer to supply these products to an EAC relevant market (other than the sanctioned EAEU member states Russia or Belarus).

Информация об упаковке

[Информация об упаковке](#)

Information- and Downloadcenter (Catalogs, Brochures,...)

<http://www.siemens.com/lowvoltage/catalogs>

Industry Mall (Online ordering system)

<https://mall.industry.siemens.com/mall/ru/ru/Catalog/product?mlfb=8GK4501-2KK12>

Service&Support (Manuals, Certificates, Characteristics, FAQs,...)

<https://support.industry.siemens.com/cs/ww/ru/ps/8GK4501-2KK12>

Image database (product images, 2D dimension drawings, 3D models, device circuit diagrams, ...)

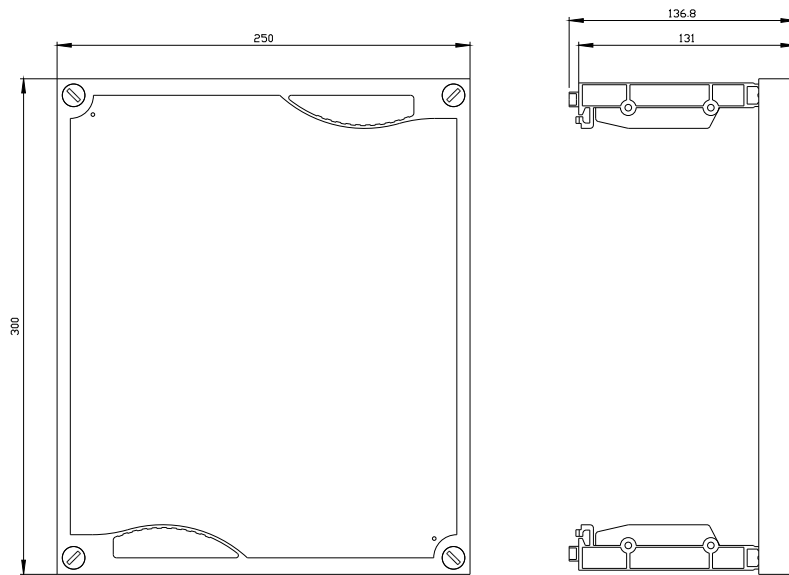
[http://www.automation.siemens.com/bilddb/cax\\_en.aspx?mlfb=8GK4501-2KK12](http://www.automation.siemens.com/bilddb/cax_en.aspx?mlfb=8GK4501-2KK12)

CAx-Online-Generator

<http://www.siemens.com/cax>

Tender specifications

<http://www.siemens.com/specifications>



последнее изменение:

10.02.2022 

