

концевой колпачок 1-фазн. для штырьковых сборных шин согласно UL 508



версия	
торговая марка изделия	SENTRON
наименование изделия	концевой колпачок
исполнение изделия	1-фазн. для штырьковых сборных шин согласно UL 508
General Product Approval	Declaration of Conformity

[Confirmation](#)



[Miscellaneous](#)



other	Environment
<a href="#">Confirmation</a>	<a href="#">Environmental Con- firmations</a>
<a href="#">Miscellaneous</a>	

### Дополнительная информация

Siemens has decided to exit the Russian market (see here).  
<https://press.siemens.com/global/en/pressrelease/siemens-wind-down-russian-business>

Siemens is working on the renewal of the current EAC certificates.  
 Please contact your local Siemens office on the status of validity of the EAC certification if you intend to import or offer to supply these products to an EAC relevant market (other than the sanctioned EAEU member states Russia or Belarus).

Информация об упаковке  
[Информация об упаковке](#)

Information- and Downloadcenter (Catalogs, Brochures,...)  
<http://www.siemens.com/lowvoltage/catalogs>

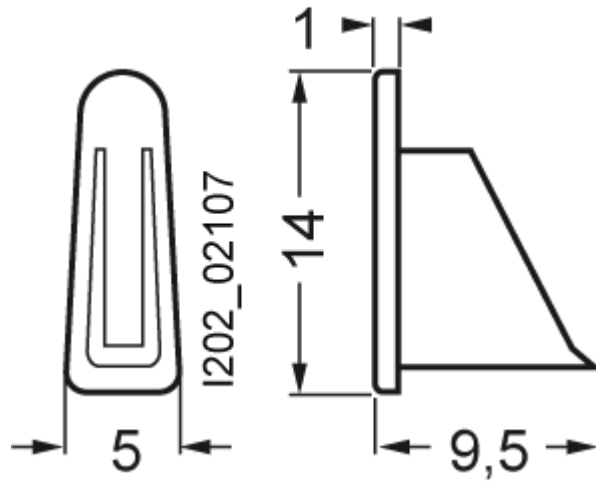
Industry Mall (Online ordering system)  
<https://mall.industry.siemens.com/mall/ru/ru/Catalog/product?mlfb=5ST3748-0HG>

Service&Support (Manuals, Certificates, Characteristics, FAQs,...)  
<https://support.industry.siemens.com/cs/ww/ru/ps/5ST3748-0HG>

Image database (product images, 2D dimension drawings, 3D models, device circuit diagrams, ...)  
[http://www.automation.siemens.com/bilddb/cax\\_en.aspx?mlfb=5ST3748-0HG](http://www.automation.siemens.com/bilddb/cax_en.aspx?mlfb=5ST3748-0HG)

CAx-Online-Generator  
<http://www.siemens.com/cax>

Tender specifications  
<http://www.siemens.com/specifications>



последнее изменение:

25.06.2022 

